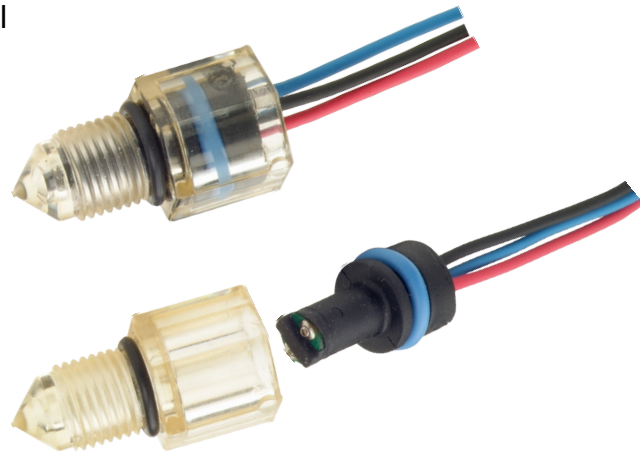


OS-950 Miniature Plastic Optical Liquid Level Sensor

These solid-state optical level sensors have no moving parts. The built-in optical electronics provides a switched output level sensor that can sense the presence or absence of fluids to 110°C. The Polysulfone housing ensures this level sensor is compatible for use in a broad range of liquids, ideal for medical and industrial OEM level sensing needs. The new TPE over-molded electronics and O-ring seal, creates a watertight, environmentally resistant assembly, ideal for harsh environments. This miniature plastic optical level sensor is well suited for low level or point level monitoring for medical diagnostic equipment, sterilizers and washer, or dialysis equipment.



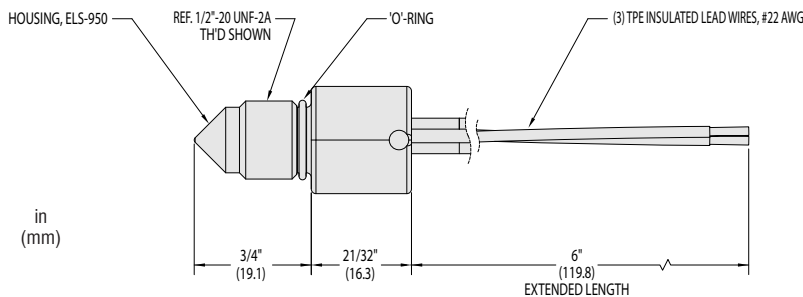
Actual units are not designed for disassembly.

OS-950A “ON” when Wet (wet sink output)
OS-950B “ON” when Dry (dry sink output)

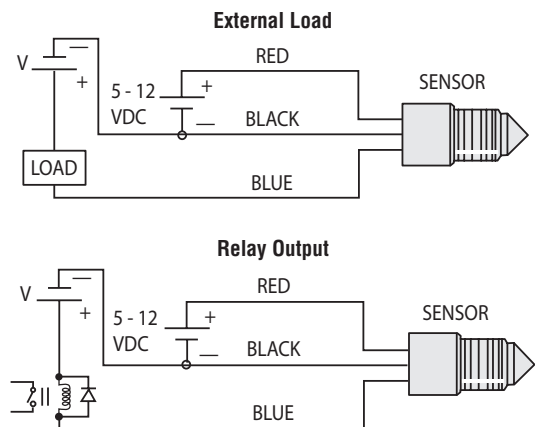
Specifications

Materials	
Housing	Polysulfone
O-Ring	
1/2"- 20UNF Mounting	Fluorocarbon
M12x1-8 Mounting	Fluorocarbon
Electronics	Over-molded TPE
Operating Pressure	0 to 250 PSI (0 to 17 bar) maximum
Operating Temperature	-40°F to +230°F (-40°C to 110°C)
Current Consumptions (No Load)	
5 VDC	4 mA
12 VDC	10mA
Output	Sink 40 mA max., up to 30 VDC
Repeatability	±1 mm

Dimensions



Wiring Diagrams



Input Power	Current Sink (condition)	1/4" NPT	1/2"-20 SAE	M12x1-8
5 VDC	Wet	OS-950A-05-0	OS-950A-05-1	OS-950A-05-2
5 VDC	Dry	OS-950B-05-0	OS-950B-05-1	OS-950B-05-2
12 VDC	Wet	OS-950A-12-0	OS-950A-12-1	OS-950A-12-2
12 VDC	Dry	OS-950B-12-0	OS-950B-12-1	OS-950B-12-2