
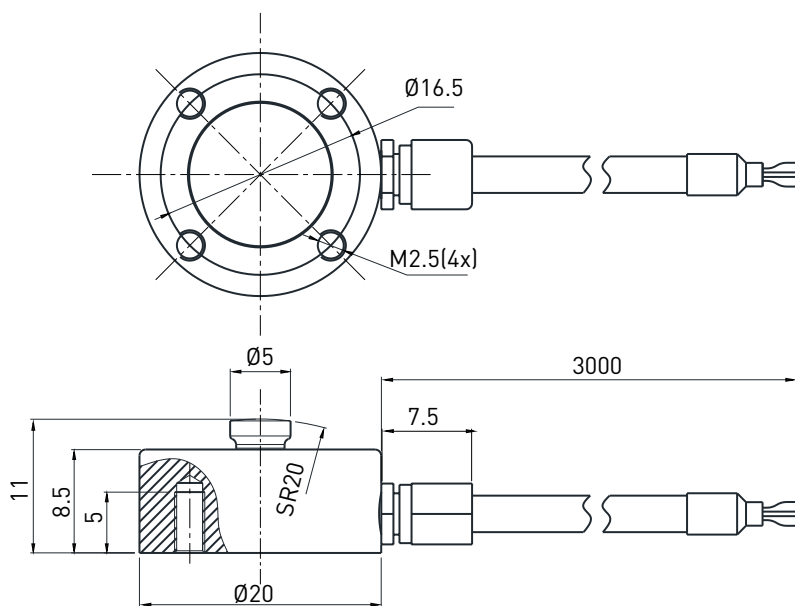


F1818

 / Size and Capacity



/ Capacity (kg)	/ Material	/Weight
5/10/20/50/100/200/500/ 1000/1500/2000	Stainless steel	0.1kg




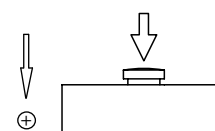
 / Features & Applications

- Miniature load cell, low profile
- Made of stainless steel, IP64
- Suitable for force measurement in limited spaces
- Various applications such as consumer electronics assembly, automation industry

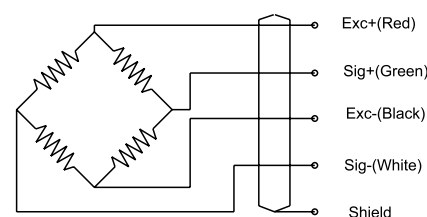
 / Technical Parameters

Specifications	/Technique
Rated output	1.5 ± 10% mV / V
Zero balance	± 2% F.S.
Non-linearity	≤0.5% F.S.
Hysteresis	0.5% F.S.
Repeatability	0.1% F.S.
Temp. effect on output	0.36% F.S. / 10°C
Temp. effect on zero	0.18% F.S. / 10°C
Input impedance	350 ± 10 Ω
Output impedance	350 ± 5 Ω
Insulation	≥5000M Ω / 100VDC
Recommended excitation	5V
Maximum excitation	10V
Compensated temp. range	-10 ~ 60°C
Operation temp. range	-20 ~ 80°C
Safe overload	150% F.S.
Ultimate overload	200% F.S.
Cable size	Ø2 × 3000 mm
Protection class	IP64
Cable color code	Input: Red(+) Black(-); Output: Green(+) White(-);

 / Load Direction



 / Schematic Wiring Diagram



Note: Cable shield is not connected to element.

Model:F1818