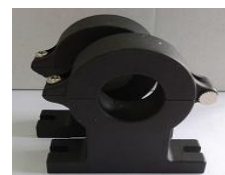


# TKC-EKADA 系列开环型可拆卸霍尔电流变送器

## TKC-EKADA Series Open Loop Mode Dismountable Hall Effect Current Transmitter



TKC-EKADA 系列开环型可拆卸电流变送器的初、次级之间是绝缘的，可用于测量交流和脉冲电流。

The TKC-EKADA Series dismantlable current transmitter is an open loop device based on the measuring principle of the hall effect, with a galvanic isolation between primary and secondary circuit. It provides accurate electronic measurement of AC or pulsed currents.

**电参数 Electrical data (Ta=25°C ±5°C)**

型号 Type 参数 Parameter	TKC20 EKADA	TKC50 EKADA	TKC100 EKADA	TKC200 EKADA	TKC400 EKADA	TKC500 EKADA	单位 Unit
额定输入电流 (I <sub>p</sub> AC) Rated current (I <sub>p</sub> AC)	±20	±50	±100	±200	±400	±500	A
测量电流范围 (I <sub>p</sub> AC) Measuring range (I <sub>p</sub> AC)	±40	±100	±200	±400	±800	±1000	A
额定输出电流 (I <sub>o</sub> DC) Rated output (I <sub>o</sub> DC)	@I <sub>p</sub> =I <sub>p</sub> n AC 4~20±1.0%						mA
电源电压 Supply voltage	24±5%						V
功耗电流 Power Consumption	+35+I <sub>o</sub>						mA
零点电流 Zero current	@I <sub>p</sub> =0 4±0.1						mA
失调电流温漂 Offset drift	@ -40~+85°C ≤±0.005						mA/°C
输出电流温漂 Output drift	@ -40~+85°C ≤±0.005						mA/°C
线性度 Linearity	@I <sub>p</sub> =I <sub>p</sub> n ≤1						%FS
响应时间 Response time	≤200						mS
带宽 Bandwidth	20~20000						HZ
绝缘电压 Galvanic isolation	@ 50HZ, AC, 1min 2.5						KV

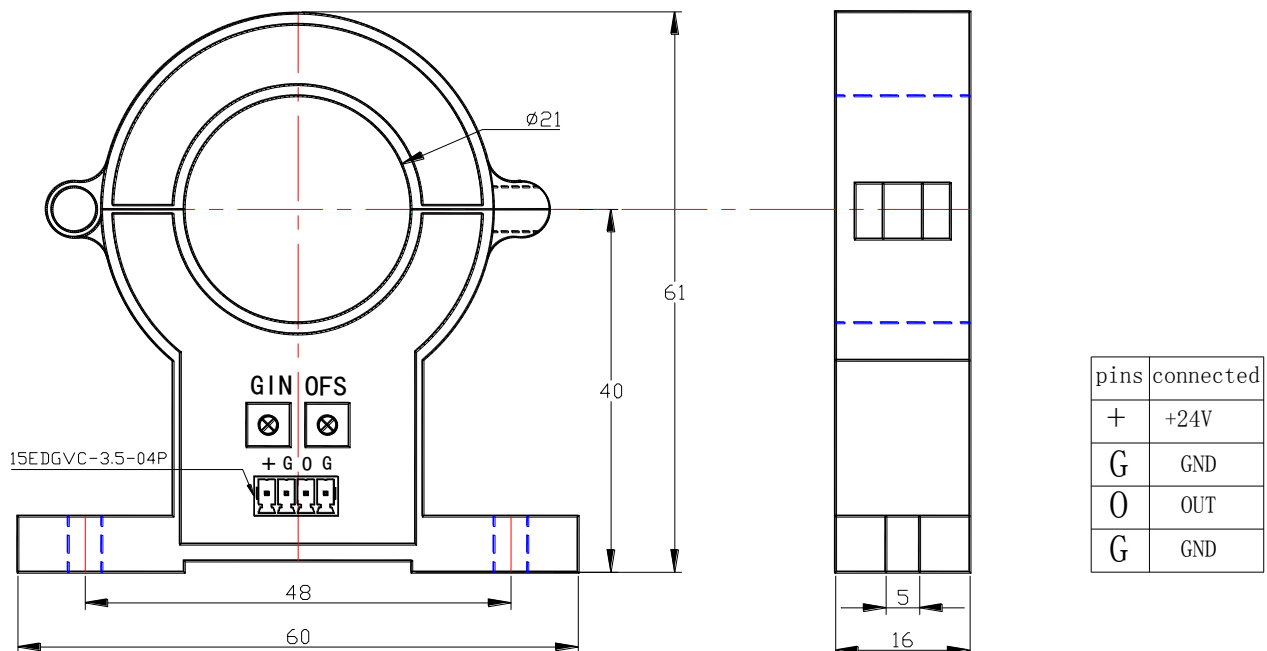
# TKC-EKADA 系列开环型可拆卸霍尔电流变送器

## TKC-EKADA Series Open Loop Mode Dismountable Hall Effect Current Transmitter

### 应用 Applications

- 变频调速系统  
Variable speed drives
- 电焊机  
Welding machine
- 通讯电源  
Battery supplied applications
- 不间断电源 UPS  
Uninterruptible Power Supplies (UPS)
- 电化学  
Electrochemical

### 结构参数 Mechanical dimension (for reference only)



#### Remarks:

1. All dimensions are in mm.
2. General tolerance  $\pm 1\text{mm}$

### 使用说明 Directions for use

1. 当待测电流从变送器穿过，即可在输出端测得电压大小。(注意：错误的接线可能导致变送器损坏)  
When the current will be measured goes through a transmitter, the voltage will be measured at the output end.  
(Note: The false wiring may result in the damage of the transmitter).
2. 变送器的输出幅度可根据用户需要进行适当调节。  
The output amplitude of the transmitter can be adjusted according to users' requirements.
3. 可按用户需求定制不同额定输入电流和输出电压的变送器。  
Custom design in the different rated input current and the output voltage are available.

# TKC-EKADA 系列开环型可拆卸霍尔电流变送器

## TKC-EKADA Series Open Loop Mode Dismountable Hall Effect Current Transmitter

**执行标准 Standards**

- UL94-V0.
- EN60947-1:2004
- IEC60950-1:2001
- EN50178:1998
- SJ 20790-2000

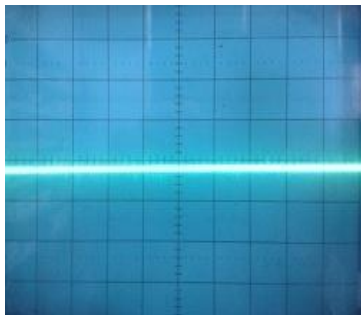
**总体参数 General date**

	数值 Value	单位 Unit	符号 Symbol
工作温度 Operating temperature	-40 to +85	°C	TA
储存温度 Storage temperature	-40~+125	°C	TS
毛重(约) Mass (approx)	68	g	M

**特性图 Characteristics chart**

抗脉冲电压干扰特性

Effects of impulse noise



← 输出电压  
( Output voltage )