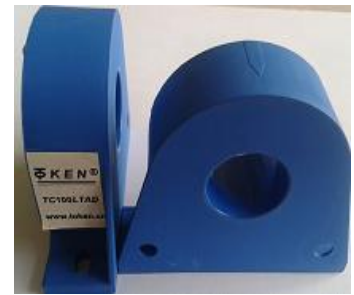


# TC-LTAD 系列电流变送器

## TC-LTAD Series Current Transmitter



TC-LTAD 系列电流变送器是应用电磁感应原理研制而成的一种新型电流变送器，初级与次级之间高度绝缘。用于交流电流的测量。

TC-LTAD series current transducer is applied the principle of electromagnetic induction, developed a new type of current transmitter, between primary and secondary high insulation. It provides accurate electronic measurement AC currents.

**电参数 Electrical data (Ta=25°C ±5°C)**

型号 Type 参数 Parameter	TC1.0 LTAD	TC2.0 LTAD	TC5.0 LTAD	TC10 LTAD	TC20 LTAD	TC50 LTAD	TC100 LTAD	单位 Unit
额定输入电流 (I <sub>p</sub> AC) Rated current (I <sub>p</sub> AC)	1.0	2.0	5.0	10	20	50	100	A
测量电流范围 (I <sub>p</sub> AC) Measuring range (I <sub>p</sub> AC)	2.0	4.0	10	20	40	100	200	A
匝比 (N <sub>p</sub> /N <sub>s</sub> ) Turns ratio (N <sub>p</sub> /N <sub>s</sub> )	1:200	1:200	1:500	1:1000	1:1000	1:2000	1:2000	T
额定输出电流 (I <sub>o</sub> DC) Rated output (I <sub>o</sub> DC)	@I <sub>p</sub> =I <sub>p</sub> n AC 4~20 ±1.0%							mA
电源电压 Supply voltage	+24V ±5%							V
功耗电流 Power consumption	≤20+I <sub>p</sub> X (N <sub>p</sub> /N <sub>s</sub> )							mA
零点电流 Zero current	@I <sub>p</sub> =0 4±0.1							mA
零点电流温漂 Zero drift	@ -40~85°C ≤±0.05							mA/°C
线性度 Linearity	@ I <sub>p</sub> =±I <sub>p</sub> n ≤0.5							%FS
响应时间 Response time	≤200							mS
工作频率 Frequency	40~1000							Hz
绝缘电压 Galvanic isolation	@ 50HZ, AC, 1min 2.5							KV

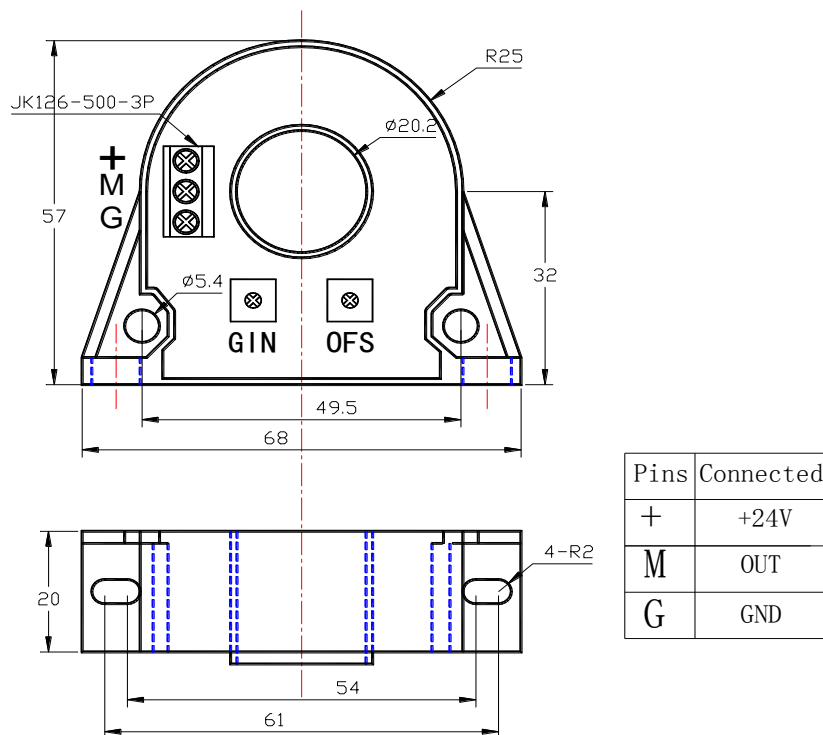
# TC-LTAD 系列电流变送器

## TC-LTAD Series Current Transmitter

### 应用 Applications

- 变频调速系统  
Variable speed drives
- 电焊机  
Welding machine
- 通讯电源  
Battery supplied applications
- 不间断电源 UPS  
Uninterruptible Power Supplies (UPS)
- 电化学  
Electrochemical

### 结构参数 Mechanical dimension(for reference only)



#### Remarks:

1. All dimensions are in mm.
2. General tolerance  $\pm 1\text{mm}$ .

### 使用说明 Directions for use

1. 当待测电流从变送器穿过，即可在输出端测得电流大小。(注意：错误的接线可能导致变送器损坏)  
When the current will be measured goes through a transmitter, the voltage will be measured at the output end.  
(Note: The false wiring may result in the damage of the transmitter).
2. 变送器的输出幅度可根据用户需要进行适当调节。  
Customs can adjust output amplitude of the transmitter by needs.
3. 可按用户需求定制不同额定输入电流和输出电流的变送器。  
Custom design in the different rated input current and the output current are available.

# TC-LTAD 系列电流变送器

## TC-LTAD Series Current Transmitter

### 执行标准 Standards

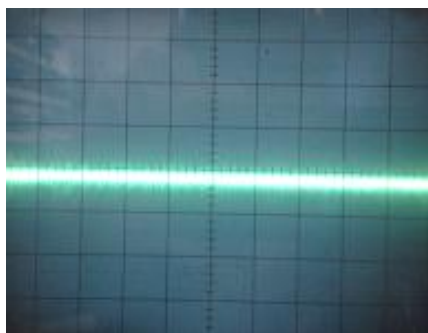
- UL94-V0.
- EN60947-1:2004
- IEC60950-1:2001
- EN50178:1998
- SJ 20790-2000

### 总体参数 General data

	数值 Value	单位 Unit	符号 Symbol
工作温度 Operating temperature	-40 to +85	°C	TA
储存温度 Storage temperature	-40 to +125	°C	TS
毛重(约) Mass (about)	90	g	M

### 特性图 Characteristics chart

抗脉冲电压干扰特性  
Effects of impulse noise



← 输出电压  
( Output voltage )

