

TKC-LTH 系列高精度开环型霍尔电流传感器

TKC-LTH Series High Precision Open Loop Mode Hall Effect Current Sensor



TKC-LTH 系列开环型电流传感器的初、次级之间是绝缘的，具有高精度、无位置误差；可用于精密测量直流、交流和脉冲电流。

The TKC-LTH Series current sensor is an open loop device based on the measuring principle of the hall effect, with a galvanic isolation between primary and secondary circuit, the size of primary doesn't affect test precision, no matter the location of primary in the hole of current sensor. It uses for precision measurement of DC, AC and pulse current.

电参数 Electrical data (Ta=25°C±5°C, RL=2KΩ, CL=10000PF)

型号 Type 参数 Parameter	TKC 10LTH	TKC 20LTH	TKC 50LTH	TKC 75LTH	TKC 100LTH	TKC 200LTH	TKC 300LTH	TKC 500LTH	单位 Unit
额定输入电流 (I _{pn}) Rated input (I _{pn})	±10	±20	±50	±75	±100	±200	±300	±500	A
测量电流范围 (I _p) Measure range (I _p)	±30	±60	±150	±225	±300	±500	±600	±1000	A
额定输出电压 Rated output	±4±0.2%FS								V
电源电压 Supply voltage	±15 ±5%								V
功耗电流 Power Consumption	+38, -18								mA
零点失调电压 Zero offset voltage	≤±10								mV
磁失调电压 Magnetic Offset voltage	±15	±10							mV
失调电压温漂 Offset voltage drift	≤±0.2	≤±0.1							mV/°C
输出电压温漂 Output drift	≤±0.5	≤±0.3							mV/°C
线性度 Linearity	@I _p =0-±I _{pn}				≤0.2				%FS
响应时间 Response time	@50A/μ S, 90%				≤3				μ s
绝缘电压 Galvanic isolation	@ 50Hz, AC, 1min				2.5				KV

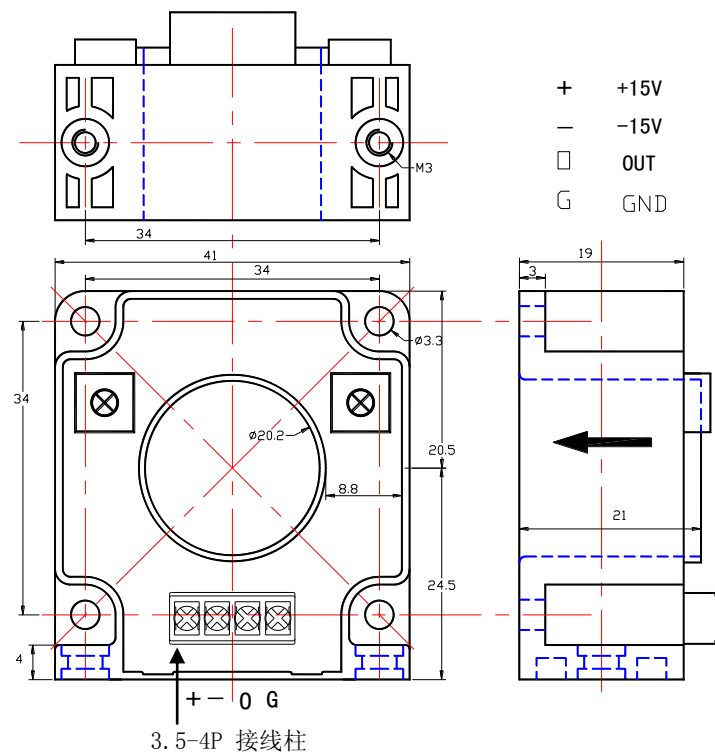
TKC-LTH 系列高精度开环型霍尔电流传感器

TKC-LTH Series High Precision Open Loop Mode Hall Effect Current Sensor

应用 Applications

- 变频调速系统
Variable speed drives
- 电焊机
Welding machine
- 通讯电源
Battery supplied applications
- 不间断电源 UPS
Uninterruptible Power Supplies (UPS)
- 电化学
Electrochemical

结构参数 Mechanical dimension(for reference only)



Remarks:

1. All dimensions are in mm.
2. General tolerance $\pm 1\text{mm}$.

使用说明 Directions for use

1. 当待测电流从传感器穿过，即可在输出端测得电压大小。(注意：错误的接线可能导致传感器损坏)
When the current will be measured goes through a sensor, the voltage will be measured at the output end.
(Note: The false wiring may result in the damage of the sensor)
2. 传感器的输出幅度可根据用户需要进行适当调节。
Customs can adjust Output amplitude of the sensor by needs.
3. 可按用户需求定制不同额定输入电流和输出电压的传感器。
Custom design in the different rated input current and the output voltage are available.

TKC-LTH 系列高精度开环型霍尔电流传感器

TKC-LTH Series High Precision Open Loop Mode Hall Effect Current Sensor

执行标准 Standards

- UL94-V0.
- EN60947-1:2004
- IEC60950-1:2001
- EN50178:1998
- SJ 20790-2000

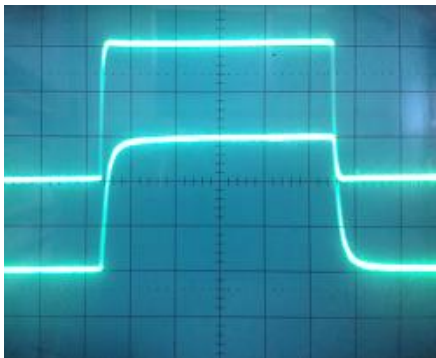
总体参数 General date

	数值 Value	单位 Unit	符号 Symbol
工作温度 Operating temperature	-40 to +85	°C	TA
储存温度 Storage temperature	-40 to +125	°C	TS
毛重(约) Mass (approx)	65	g	M

特性图 Characteristics chart

脉冲电流信号响应特性

Pulse current signal response characteristic

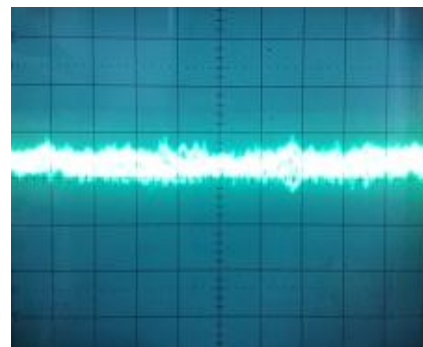


输入信号
(Input signal)

输出信号
(Output signal)

抗脉冲电压干扰特性

Effects of impulse noise



输出电压
(Output voltage)