



(此图为绝压型号)

✓RoHS

86A

恒压

- 316L 不锈钢压力传感器
- 小体积
- 0.5 - 4.5V 放大输出
- 密封压，绝压
- ASIC 校准

86A恒压是一个小的体积，介质兼容，316L不锈钢封装硅压阻压力传感器。本产品被设计为O形圈装配。此传感器利用硅油转移压力到316L不锈钢隔膜。

86A适用于高性能，低压应用。定制的ASIC温度补偿，偏移校正，提供0.5~4.5V的放大输出。

对于类似的传感器和塑料螺纹管件,相似于LM压力传感器

产品特点

- O形环配件
- -20°C to +85°C 工作温度范围
- ±1.0% 压力非线性
- 低到±3.0% 总量程误差
- 固态的可靠性

应用

- 液位控制
- 罐内液位测量
- OEM 设备
- 腐蚀性液体和气体的测量系统
- 密封系统
- 多面的压力测量
- 气压测量
- 潜水深度监测

标准范围

Range	psig	psia	Range	Barg	Bara
0 to 1	●		0 to .07	●	
0 to 2	●		0 to .14	●	
0 to 5	●		0 to .35	●	
0 to 15	●	●	0 to 1	●	●
0 to 30	●	●	0 to 2	●	●
0 to 50	●	●	0 to 5	●	●
0 to 100	●	●	0 to 7	●	●
0 to 150	●	●	0 to 10	●	●

中间范围,联系工厂。

性能规格

供电电压: 5.0Vdc

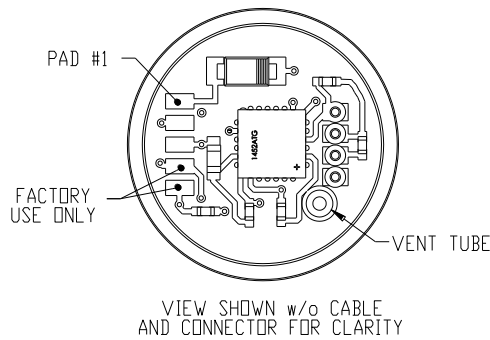
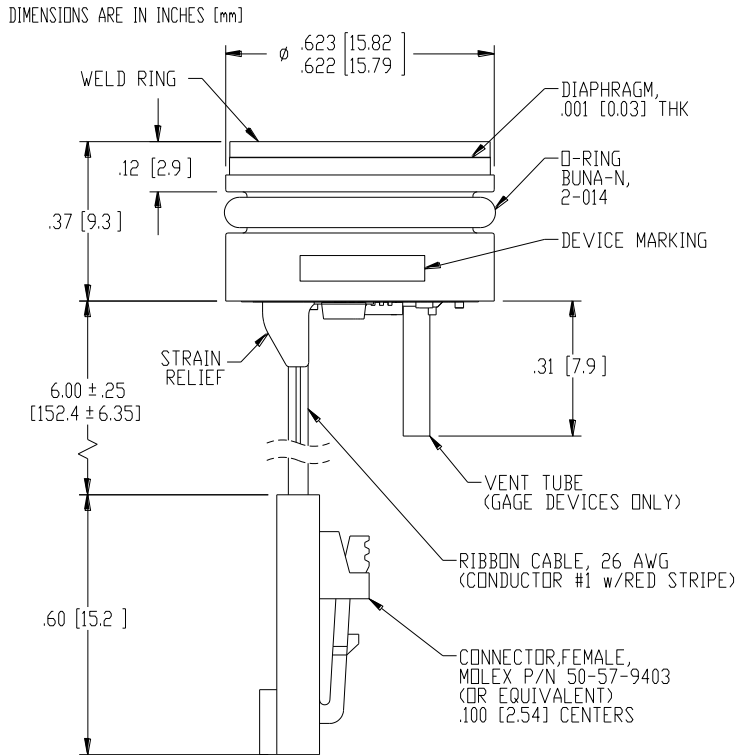
环境温度: 25° C (除非另有说明)

PARAMETERS	MIN	TYP	MAX	UNITS	NOTES
满量程输出跨度		4.5		V	
0压力输出(补偿)		0.5		V	
压力非线性	-1	±0.3	1	%Span	1
压力滞后	-0.1		0.1	%Span	
重复性		±0.02		%Span	
温度误差 - 满量程(0° C to 40° C)		1, 2psi and .07bar: ±2.0 ≥5psi or ≥.35bar: ±1.5		%Span	2
温度误差 - 零点(0° C to 40° C)		1, 2psi and .07bar: ±2.0 ≥5psi or ≥.35bar: ±1.5		%Span	2
精确度(结合线性,滞后, & 重复性)		0.25		%Span	1
总误差范围(包括校准错误& 以上温度效应的补偿范围)		1, 2psi and .07bar: ±7 5psi and .35bar: ±5 >5psi or .35bar: ±3		%Span	
供电电压	4.75	5.00	5.25	V	3
绝缘电阻(50Vdc)	50			MΩ	4
过载压力			3X	Rated	
温度补偿	0		+40	°C	
工作温度	-20		+85	°C	
材质 - 压力端口	液体和气体兼容316L不锈钢				

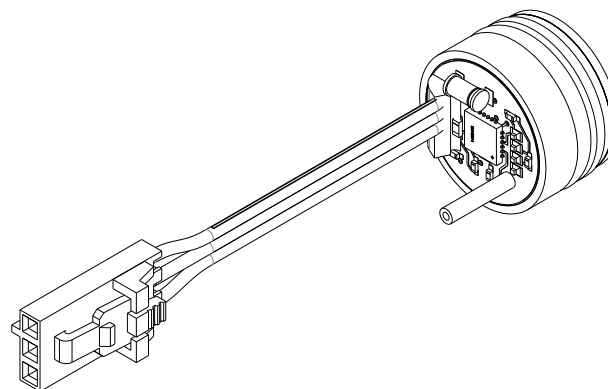
Notes

1. 最适合直线.
2. 超过补偿温度范围的+ 25°C
3. 保证输入输出比
4. 对象和传感元件之间.
5. 可以应用于传感器的最大压力传感元件或传感器没有破裂.

产品尺寸



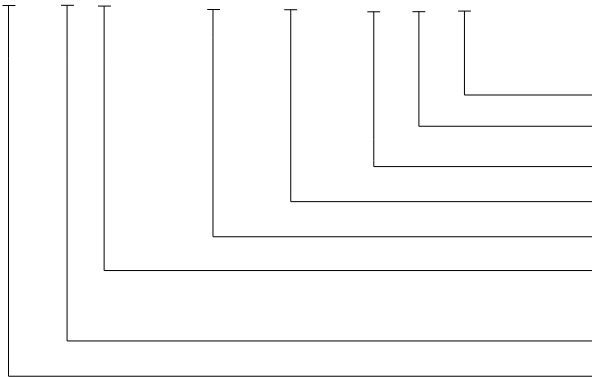
PAD/WIRE NO	FUNCTION
1	+Vin
2	GND
3	+Vout



REFERENCE VIEW (GAGE DEVICE SHOWN)

订购信息

86A 3 R - 00000 0 - 150P G



压力类型(G = 密封压, A = 绝压)
 单位 (P = psi, B = Bar)
 压力范围
 端口类型 (0 = 标准, X = 特殊)
 定制 P/N (00000 = 标准产品)
 连接 (R = 6" 带状电缆, C = 6" 带状电缆与连接器,
 X = 特殊连接)
 输出 (3 = 0.5 to 4.5V, X = 特殊输出)
 型号

NORTH AMERICA

Measurement Specialties, Inc.,
 a TE Connectivity Company
 45738 Northport Loop West
 Fremont, CA 94538
 Tel: 1-800-767-1888
 Fax: 1-510-498-1578
 Sales: pfg.cs.amer@meas-spec.com

EUROPE

Measurement Specialties (Europe), Ltd.,
 a TE Connectivity Company
 26 Rue des Dames
 78340 Les Clayes-sous-Bois, France
 Tel: +33 (0) 130 79 33 00
 Fax: +33 (0) 134 81 03 59
 Sales: pfg.cs.emea@meas-spec.com ☒

ASIA

Measurement Specialties (China), Ltd.,
 a TE Connectivity Company
 No. 26 Langshan Road
 Shenzhen High-Tech Park (North)
 Nanshan District, Shenzhen 518057
 China
 Tel: +86 755 3330 5088
 Fax: +86 755 3330 5099
 Sales: pfg.cs.asia@meas-spec.com

TE.com/sensorsolutions

Measurement Specialties, Inc., a TE Connectivity company.

Measurement Specialties, TE Connectivity, TE Connectivity (logo) and EVERY CONNECTION COUNTS are trademarks. All other logos, products and/or company names referred to herein might be trademarks of their respective owners.

The information given herein, including drawings, illustrations and schematics which are intended for illustration purposes only, is believed to be reliable. However, TE Connectivity makes no warranties as to its accuracy or completeness and disclaims any liability in connection with its use. TE Connectivity's obligations shall only be as set forth in TE Connectivity's Standard Terms and Conditions of Sale for this product and in no case will TE Connectivity be liable for any incidental, indirect or consequential damages arising out of the sale, resale, use or misuse of the product. Users of TE Connectivity products should make their own evaluation to determine the suitability of each such product for the specific application.

© 2015 TE Connectivity Ltd. family of companies All Rights Reserved.