

TW Protocol Series



TWLP

SPECIFICATIONS

Input Voltage	Class 2; 12 to 30VDC, 24VAC, 50/60Hz, 100mA max.
Operating Temp	0° to 50°C (32° to 122°F)
Housing Material	High impact ABS plastic , UL 94 V0
Protocol	BACnet or Modbus (selectable)
Connection	2-wire RS-485
Data Rate	9600, 19200, 38400, 57600 (Modbus), bps (selectable); 9600, 19200, 38400, 76800 (BACnet), bps (selectable)
Parity	None/Odd/Even (selectable-Modbus); None (BACnet)
Address Range	1-127
Setpoint Slider Resolution (Optional)	1% full scale
Override Button (Optional)	Remotely readable and resettable
Sensor Type	Solid-state, integrated circuit
Accuracy	±0.5°C (±.9°F) typical
Resolution	0.1°C (0.2°F)
Range	10° to 35°C (50° to 95°F)

EMC Conformance: Low voltage directive 2006/95/EC and EMC directive 2004/108/EC.
EMC Special Note: Connect this product to a DC distribution network or an AC/DC power adaptor with proper surge protection (EN 61000-6-1:2007 specification requirements)

Modbus and BACnet Protocol Communication

FEATURES

- Embedded BACnet and Modbus communication protocols... provides ease of integration
- Configurable to multiple baud rates...ensures network compatibility
- Network configuration eliminates the costs of home run wiring and analog inputs required by traditional sensors
- Setpoint and override activation represented in protocol...eliminates costly wiring and inputs

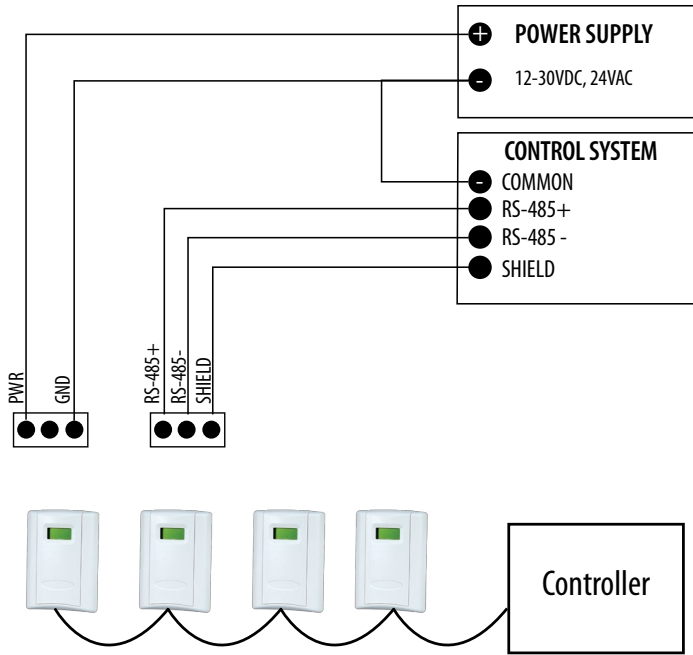
DESCRIPTION

TWLP Series features embedded BACnet & Modbus communication protocols to communicate temperature readings to a building automation system controller. The setpoint slider and pushbutton override options offer additional local input.

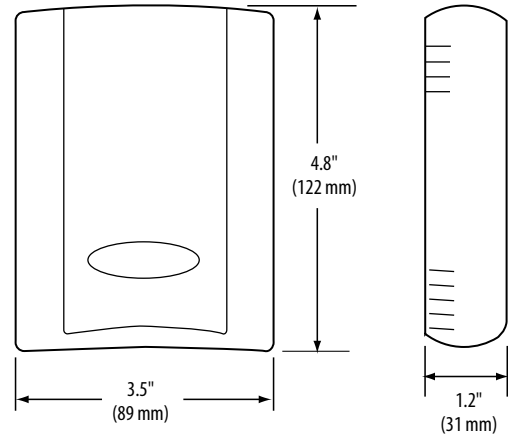
APPLICATIONS

- Temperature control in office buildings & schools with systems utilizing BACnet or Modbus protocol

WIRING DIAGRAM



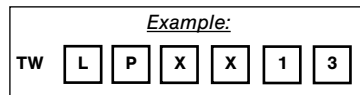
DIMENSIONAL DRAWING



ORDERING INFORMATION



- | | | | | |
|-----------------------------|----------------------------|--|---|----------------------------------|
| <u>Local Display</u> | <u>Protocol</u> | <u>Temp. Cal. Cert.</u> | <u>Option</u> | <u>Housing</u> |
| TW <input type="checkbox"/> | <input type="checkbox"/> P | <input type="checkbox"/> X | <input type="checkbox"/> X | <input type="checkbox"/> |
| L = LCD
X = No display | = Protocol | X = No
1 = 1 pt. cal. cert.
2 = 2 pt. cal. cert.
3 = 3 pt. cal. cert. | Blank = None
1 = Pushbutton override
2 = Set point slider
3 = Pushbutton override + set point slider | Blank = Cloud white
B = Black |



ACCESSORIES

Handheld air quality testers (U003-0007, U003-0015, U003-0004, U003-0008)
 Replacement covers for wall units (AA51, AA51B, AA52, AA52B)
 Replacement cloud white wall housing (AA55)

