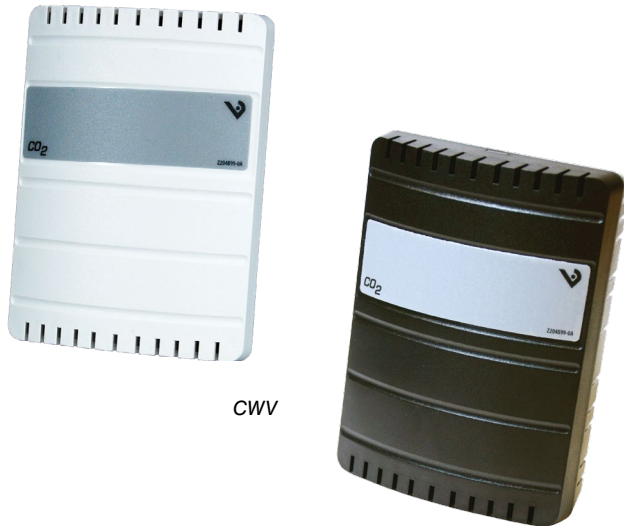


CWV Series



CWV

SPECIFICATIONS

Input Voltage	Class 2; 20 to 30VDC, 24VAC 50/60Hz
Analog Output #1	4-20mA (clipped & capped) or 0-3VDC/0-5VDC/0-10VDC (jumper selectable)
Analog Output #2	4-20mA (clipped & capped) or 0-3VDC/0-5VDC/0-10VDC (jumper selectable)
Sensor Current Draw	200mA Maximum
Operating Humidity Range	0-95% RH noncondensing
Operating Temp Range	0° to 50°C (32° to 122°F)
Housing Material	High impact ABS plastic
Terminal Block Torque	0.4-0.5N-m (3.6-4.4 in-lbf) max.
Terminal Block Wire Size	24-14 AWG (02-2.5mm ²)
Relay Contacts	1A@30VDC, resistive; 30W max.
CO₂ TRANSMITTER	
Sensor Type	Non-dispersive infrared (NDIR), diffusion sampling
Measurement Range	0-2000 ppm
Accuracy	±40 ppm ±5.5% of measured value
Repeatability	±30 ppm ±4.5% of measured value
Response Time	<60 seconds for 90% step change

EMC Conformance: Low voltage directive 2006/95/EC & EMC directive 2004/108/EC.
EMC Special Note: Connect this product to a DC distribution network or an AC/DC power adaptor with proper surge protection (EN 61000-6-1:2007 specification requirements).

Dual Analog Outputs, Switchable 0-3/5/10 Volt/4-20 mA Output

FEATURES

- Microprocessor-based design reduces long-term drift and calibration requirements
- Non-dispersive infrared technology (NDIR) repeatable to ±30 ppm ±4.5% of measured value...high accuracy
- Innovative self-calibration algorithm...easy to maintain
- 5-year calibration interval (recommended)
- Low ambient sensitivity
- Improve comfort and facilitate compliance with ASHRAE 62.1 standard for air quality
- Demand control ventilation provides reduction in energy costs...helps with green branding initiatives
- Dual analog outputs...added user convenience
- LED indication for power and error detection...reduces time spent troubleshooting
- Switchable 0-3/5/10V output...increased flexibility
- US & European mounting holes...installation flexibility
- Field calibratable...reduce costly downtime
- 4-20mA and voltage outputs in one unit...greater versatility

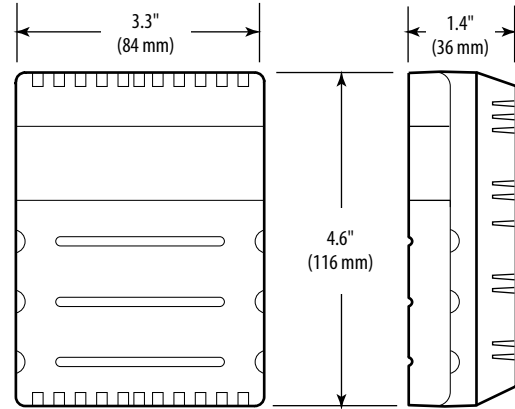
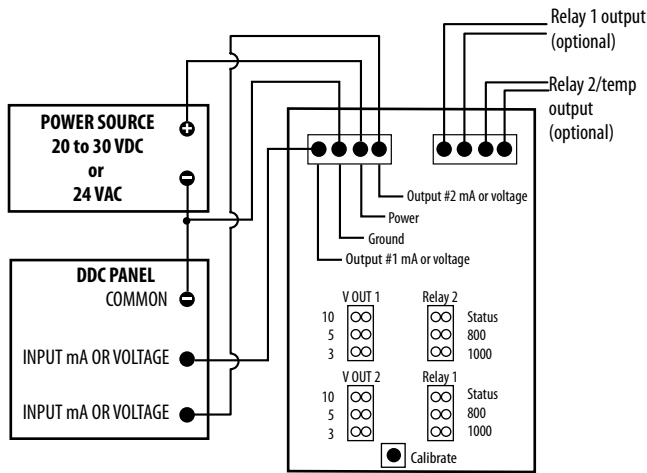
DESCRIPTION

The **CWV Series** is a non-dispersive infrared sensor designed for measuring CO₂ concentration in office and living spaces. Its 2000 ppm measurement range makes it an ideal solution for meeting ASHRAE and other ventilation control standards.

The **CWV Series** features multiple output options, microprocessor-based digital technology, and a unique self-calibration algorithm which improves long-term stability and accuracy.

APPLICATIONS

- Controlling HVAC in response to occupancy
- Improving tenant comfort
- Schools, museums, airports, commercial buildings, etc.
- OEM applications
- Home automation
- Big-box retail
- Restaurants
- C-Stores
- Bid/Spec market



ORDERING INFORMATION



Outputs

CWVS



- 1 = 0-3/5/10VDC and 4-20mA
- 2 = Dual 4-20mA
- 3 = Dual 0-3/5/10VDC

Relay Option



- X = None
- 1 = Relay

Thermistor/2nd Relay option



- X = No option
- B = 100R Platinum
- C = 1k Platinum
- D = 10k T2
- E = 2.2k
- F = 3k
- H = 10k T3
- J = 10k Dale
- K = 10k w/11k with shunt
- M = 20k NTC
- N = 1800 ohm
- P = 10m V/C
- R = 10k US
- S = 10k 3A 221
- U = 20k "D", Thermistor
- W = 10k T2 high accuracy, Thermistor
- Y = 10k T3 high accuracy, Thermistor
- Z = 10k E1, Thermistor
- 1 = Relay

Warranty



- 1 = 1 Year
- 3 = 3 Years
- 5 = 5 Years

Housing



- Blank = White/gray
- B = Black

Example:

CWVS



ACCESSORIES

Calibration kits and gases (AA01, AA26, AA27, AA28, AA29)
Handheld air quality testers (1010, 1008, 770)



1010



AA01