



AGO2

Nitrogen Dioxide Sensing Element

Product Overview

The AGO2 nitrogen dioxide (NO₂) sensing element is designed to work with the Veris GWN Series gas platform unit to provide accurate monitoring of NO₂ levels. Common sources of NO₂ include exhaust from diesel engines and diesel powered generators. The sensor is calibrated at the factory, so no field calibration is needed. The AGO2 is warranted to meet accuracy specifications for two years from the date of manufacture.

NOTICE

- This product is not intended for life or safety applications.
- Do not install this product in hazardous or classified locations.
- Read and understand the instructions before installing this product.
- Turn off all power supplying equipment before working on it.
- The installer is responsible for conformance to all applicable codes.

No responsibility is assumed by Veris Industries for any consequences arising out of the use of this material.

Specifications

Sensor Type	Electrochemical
Measurement Range	0-15 ppm
Accuracy	±5% of range at 25°C
Resolution	0.1 ppm
Sensor Warranty	2 years from manufacture date
Low Level Setpoint	1 ppm (fixed)
High Level Setpoint	3 ppm (fixed)
Operating Temperature Range	-20° to 50°C (-4° to 122°F)
Operating Humidity Range	0-90% RH noncondensing

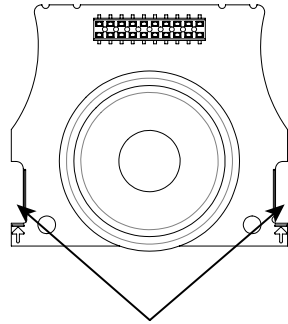
The AGxx sensors work only with Veris GWN Series gas platform devices.

Installation

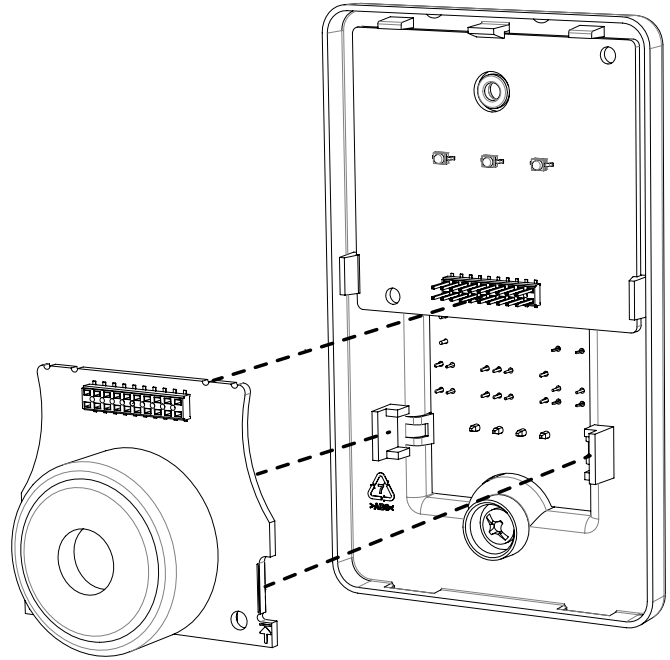


Observe precautions for handling static sensitive devices to avoid damage to the circuitry that is not covered under the factory warranty.

1. Disconnect and lock out all power sources before beginning the installation of the sensor.
2. Install the GWN Series gas platform according to the instructions included with that device.
3. Remove the front cover from the GWN Series gas platform device.
4. Use the grooves on the sides of the AG02 to correctly position the sensor with respect to the GWN unit.
5. Press the connector block on the sensor onto the connector pins on the GWN unit.



Use these grooves to position the sensor properly before pressing the sensor into the pin connector on the GWN board.



6. The AG02 sensor has fixed high and low setpoint values, so disregard the setpoint slide switch on the GWN board.
7. Replace the GWN front cover. Reconnect power.
8. Disposal of used AG02 sensors with hazardous waste (e.g. batteries).